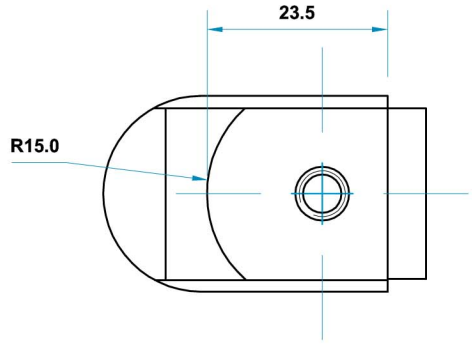
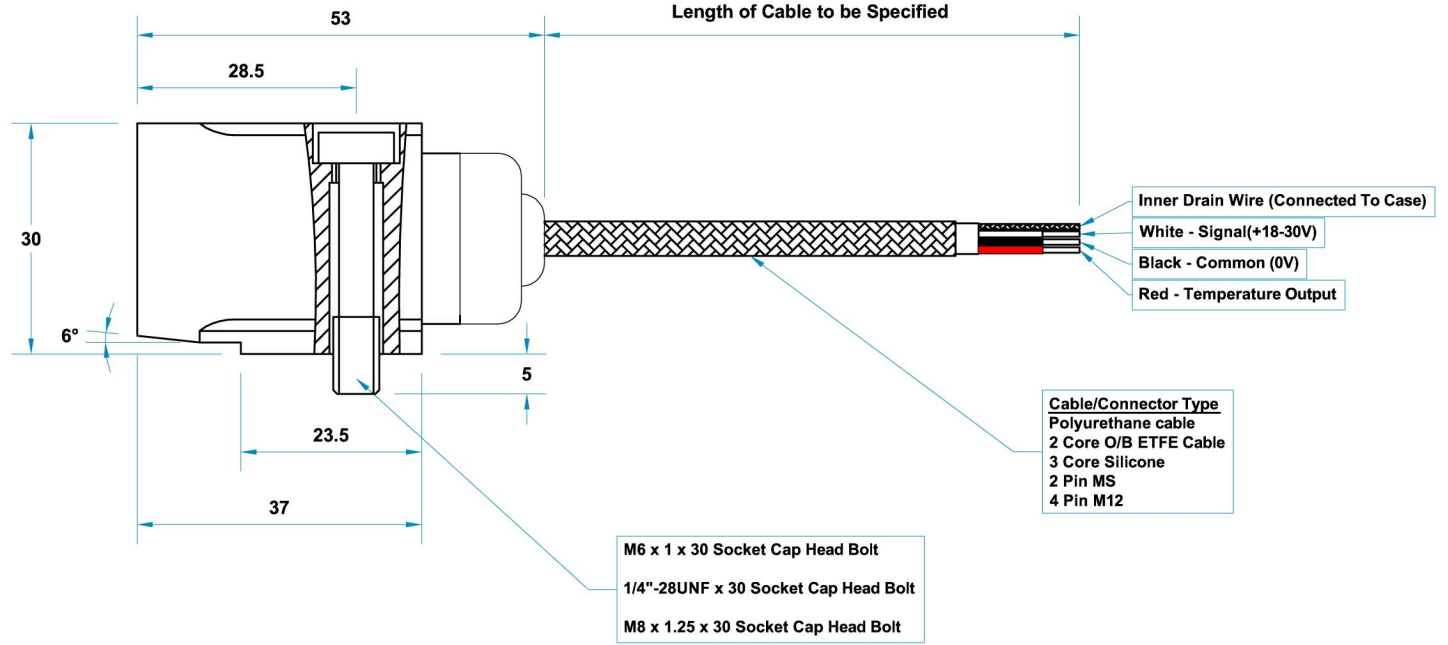
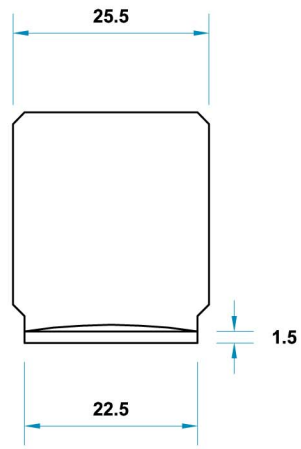


Installation Dimensional Drawing for HS-100ST Series



TS156 Iss01

Rev No	DRF No	Date Drg	Drg By	Appd By	Material: <i>N/A</i>		Do Not Scale	Description: HS-100ST Series Vibration And Temperature Side Exit	
A	Release	20/06/11	MJS	CMH	Tolerances Unless Stated 0 or 0.0 ±0.5 0.00 ±0.15 Angle ±5°		All Dimensions In mm Unless Otherwise Stated	Drawing No: CD034.1	
								If In Doubt - Ask!	Scale: NTS Sheet: 1 of 1

Hansford Sensors
Excellence in Vibration Monitoring

Hansford Sensors Ltd
Artisan Hillbottom Road
Sands Industrial Estate
High Wycombe
Bucks HP12 4HJ