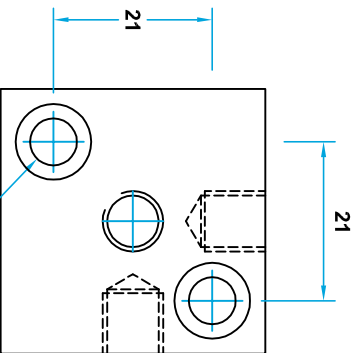
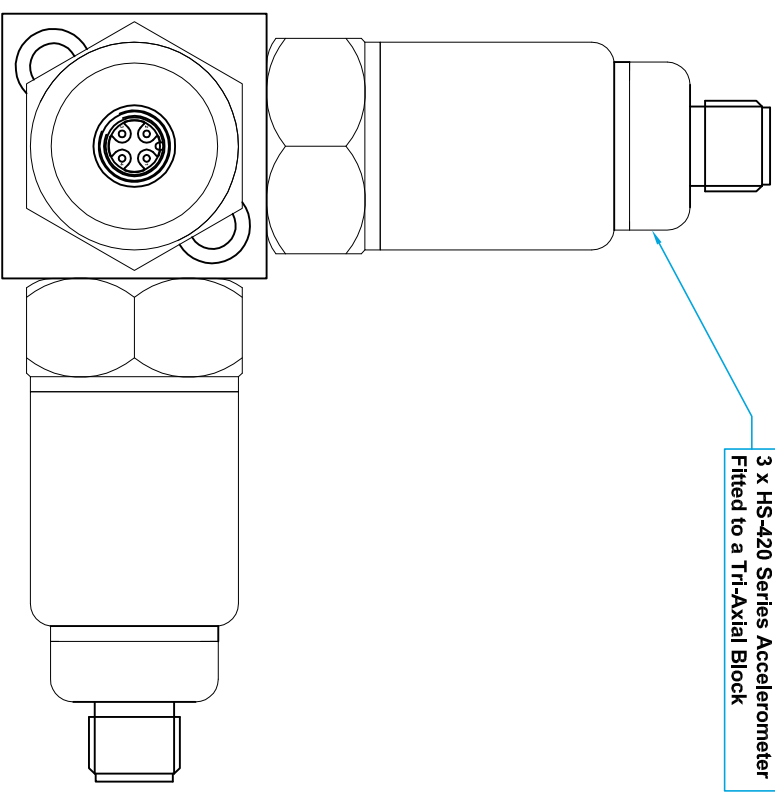


3 x M8 x 1.25
Max Depth Of Thread 8mm

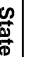


2 x Fixing holes
M6 Clearance Holes



3 x HS-420 Series Accelerometer
Fitted to a Tri-Axial Block

Rev No	DRF No	Date Drg	Drg By	Appd By	Material: 303 Stainless Steel	 Hanford Sensors <i>Excellence in Vibration Monitoring</i> Hanford Sensors Ltd Artisan, Hillbottom Rd Sand Industrial Estate High Wycombe Bucks HP12 4HU	 Do Not Scale	Description: M8 Tri Mounting Block
A	Release	11/07/11	MJS	CMH	Tolerances Unless Stated 0 or 0.0 ±0.5 0.00 ±0.15 Angle ±5°			

Tolerances Unless Stated 0 or 0.0 ±0.5 0.00 ±0.15 Angle ±5°		 Finish All Over Threads g6 H6	If In Doubt - Ask!	Scale: 1 : 1 Sheet: 1 of 1	Form Number: QF024 Issue 2		
1	2					3	4