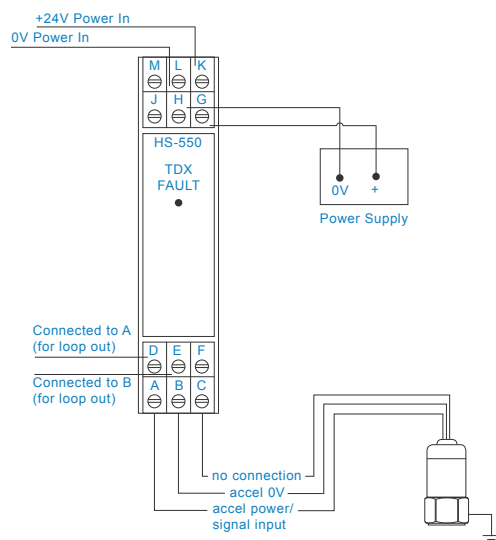


HS-550 Vibration Module

Acceleration Power Supply and Signal Amplifier

Key Features

- Provides power for constant current accelerometers
- 3 Gain Settings
- TDX OK Indicator
- DIN Rail Mounted



Technical Performance

Power Input	24 VDC $\pm 10\%$ @ 20 mA max.
Accelerometer Driving Voltage	22.5 VDC
Accelerometer Constant Current	4 mA or 10 mA selectable via link
Maximum Output	± 9 V at x1 gain ± 5 V at 10 gain ± 4.5 V at x100 gain
Voltage Gain	x1, x10, x100 selectable via DIL switch

Mechanical

Case Material	Plastic
Mounting	DIN Rail TS35 (Top Hat)
Dimensions	100 x 75 x 24 mm (HxDxW)
Connections	Screw Clamp
Conductor Size	0.5 to 4.0 mm
Weight	76 gms (nom)

Electrical

Frequency Response	1 Hz to 120 KHz -3db at x1 gain 1 Hz to 50 KHz -3db at x10 gain 1 Hz to 10 KHz -3db at 100 gain
Broadband Noise (1-10 KHz)	70 μ V rms at x1 gain 650 μ V rms at x10 gain 3 mV rms at x100 gain
Fault Indication	Red LED 5 V > Vbias > 15 V

Environmental

Operating Temperature Range	0 to 55 $^{\circ}$ C
EMC	EN61326-1:2013
Installation Category (IEC664)	II
Equipment Class (IEC536)	III



www.hansfordsensors.com
sales@hansfordsensors.com

We reserve the right to alter the specification of this product without prior notice
TS054.5

