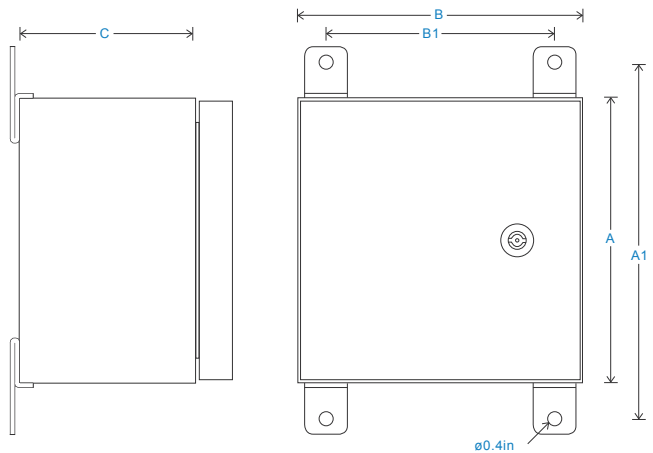


HS-SE-DT Switching Enclosure

Stainless Steel - vibration and temperature output

Key Features

- Provides a terminal to take readings from accelerometers via a portable data-collector
- Dual output for vibration and temperature
- Multiple outputs via one connector

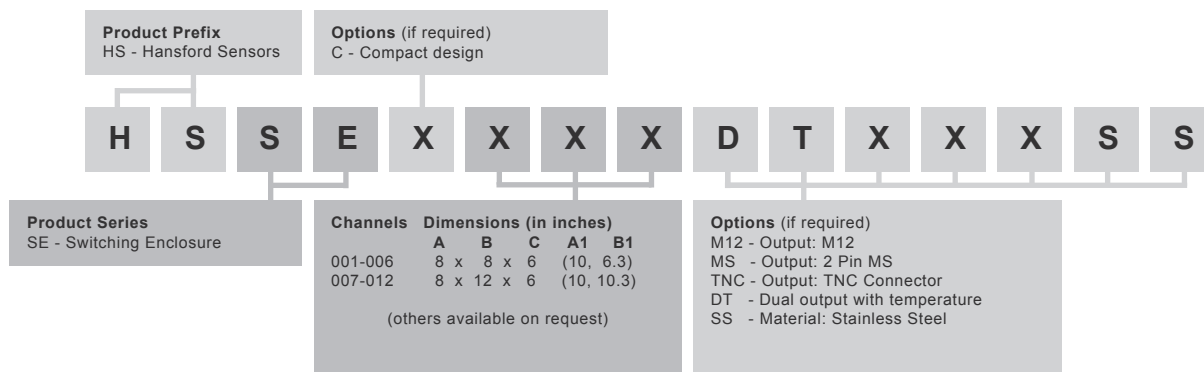


dimensions to be specified in 'how to order' table

Technical Performance

Inputs	Via dual output vibration and temperature accelerometer	Door	Lock and polyamide key
Output	BNC as standard (alternatives can be specified in 'How To Order' table)	Glanding	Glands supplied but not fitted Holes are punched for: Single input M12 - ø0.1-0.3in cable Single input M20 - ø0.3-0.7in multi-core cable Multi input M20 - 3 x ø0.2in
Mounting Board	Engraved traffolyte panel (customisable upon request)	Labelling	Channel locations - other labelling available upon request
Material	304 Stainless Steel (to be specified in options of 'How To Order' table)	Mounting	supplied are 4 x Brackets
Dimensions	see: 'How To Order' table	EMC	EN61326-1:2013
Sealing	NEMA 4X		
Termination	Din rail terminals wired to switch		

How To Order



www.hansfordsensors.com
sales@hansfordsensors.com

We reserve the right to alter the specification of this product without prior notice
TS147U.2

