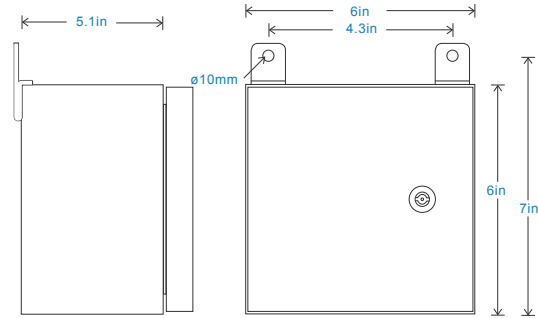


# HS-SEC Compact Switching Enclosure

Stainless Steel

## Key Features

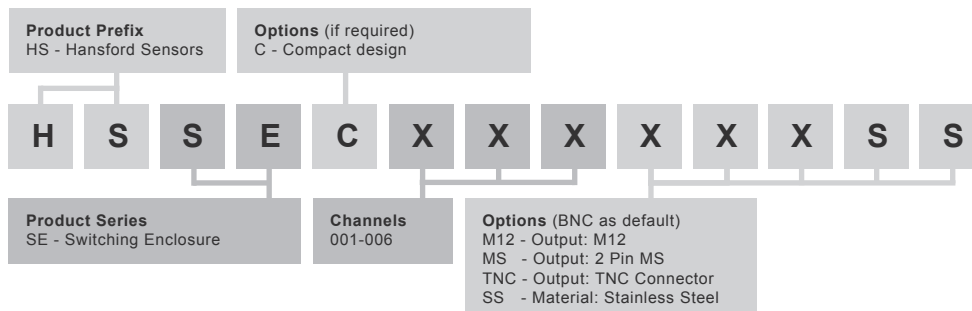
- Provides a terminal to take readings from accelerometers via a portable data-collector
- Multiple outputs via one connector
- Compact design



## Technical Performance

Inputs	Via accelerometer	Door	Twist Handle
Output	BNC as standard (alternatives can be specified in 'How To Order' table)	Glanding	Glands supplied but not fitted
Mounting Board	Engraved traffolyte panel (customizable upon request)		Holes are punched for: Single input M12 - ø0.1-0.3in cable Single input M20 - ø0.3-0.7in multi-core cable Multi input M20 - 3 x ø0.2in
Material	304 Stainless Steel (to be specified in options of 'How To Order' table)	Labelling	Channel locations - other labelling available upon request
Dimensions	see: 'How To Order' table	Mounting	supplied are 2 x Brackets
Sealing	NEMA 4X	EMC	EN61326-1:2013
Termination	Din rail terminals wired to switch		

## How To Order



[www.hansfordsensors.com](http://www.hansfordsensors.com)  
[sales@hansfordsensors.com](mailto:sales@hansfordsensors.com)

We reserve the right to alter the specification of this product without prior notice  
 TS242U.3

