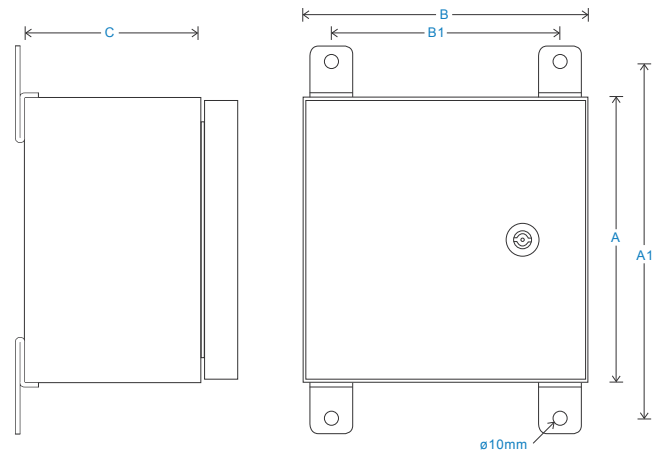


HS-CEI Connection Enclosure

Stainless Steel - with safety barriers

Key Features

- Provides a terminal to take readings from accelerometers via a portable data-collector
- Multiple outputs via multiple connectors



dimensions to be specified in 'how to order' table

Technical Performance

| | | | |
|----------------|--|----------------|--|
| Inputs | Via accelerometer | Glanding | Glands supplied but not fitted |
| Output | BNC as standard (alternatives can be specified in 'How To Order' table) | | Holes are punched for: Single input M12 - ø3.5-7mm cable Single input M20 - ø7-13mm multi-core cable Multi input M20 - 3 x ø5.3mm |
| Mounting Board | Engraved traffolyte panel (customisable upon request) | Labelling | Channel locations - other labelling available upon request |
| Material | 304 Stainless Steel (to be specified in options of 'How To Order' table) | Mounting | supplied are 4 x Brackets |
| Dimensions | see: 'How To Order' table | Safety Barrier | MTL 7728 Zener Barrier (BAS01ATEX7217) M06-027-B |
| Sealing | IP66 | EMC | EN61326-1:2013 |
| Termination | Klippon Type | | |
| Door | Lock and polyamide key | | |

How To Order

