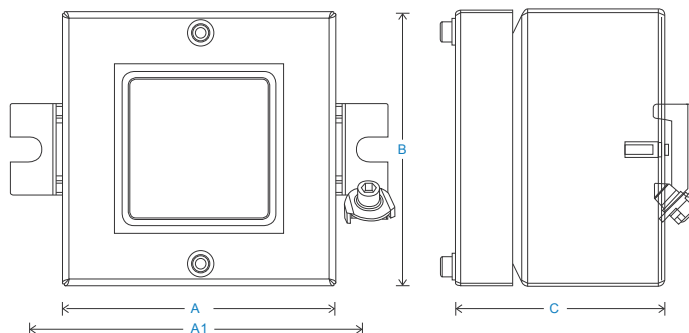


# HS-ICE ATEX Connection Enclosure

Stainless Steel

## Key Features

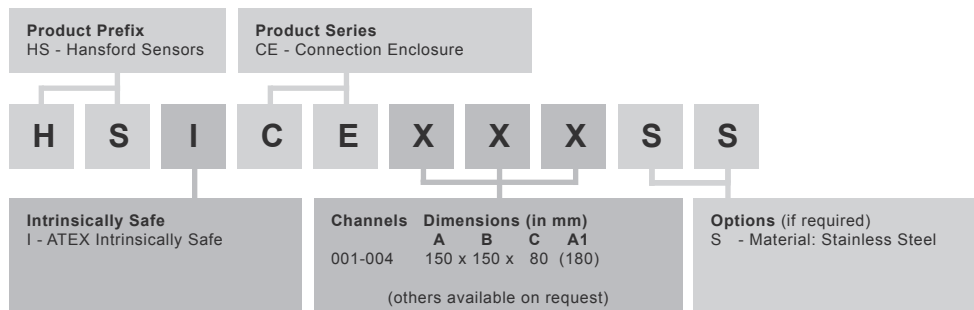
- Provides a terminal to take readings from accelerometers via a portable data-collector
- Multiple outputs via multiple connectors



## Technical Performance

Inputs	Via accelerometer	Door	Screw captive slotted
Output	BNC	Glanding	Glands supplied but not fitted
Mounting Board	PCB panel (customisable upon request)		Holes are punched for: Single input M12 - ø3.5-7mm cable Single input M20 - ø7-13mm multi-core cable
Material	316L Stainless Steel		Multi input M20 - 3 x ø5.3mm
Dimensions	see: 'How To Order' table		supplied are 4 x Brackets
Sealing	IP66	Mounting EMC	EN61326-1:2013

## How To Order



www.hansfordsensors.com  
sales@hansfordsensors.com



We reserve the right to alter the specification of this product without prior notice  
TS258.3