

HS-AA042 & HS-AA052 Terminal Head

Aluminium / Stainless Steel



For use in Intrinsically Safe areas to aid connections to conduits and site cables.

Terminal head is classed as a 'simple apparatus' if being used in Intrinsically Safe environment.

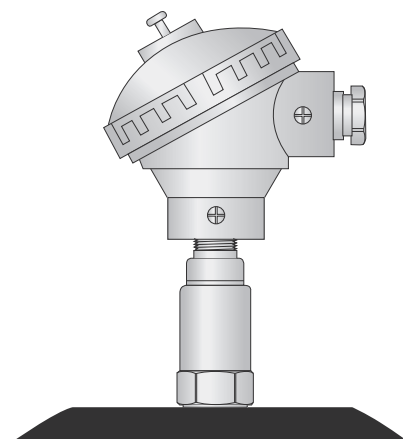
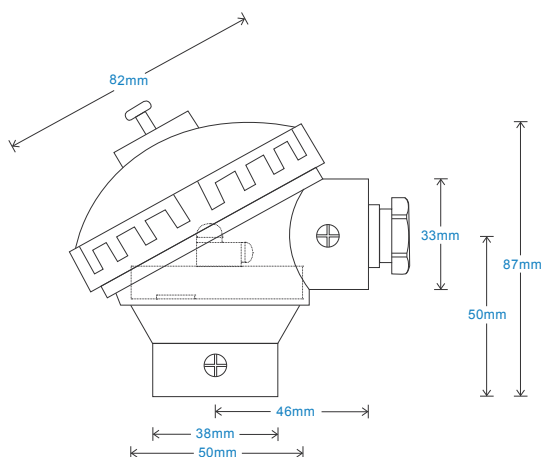
Operating Temperature Range: determined by Intrinsically Safe certification for sensor.

Sealing: IP67

Weight in Aluminium: 260g

Weight in Stainless Steel: 850g

Applications



How To Order

