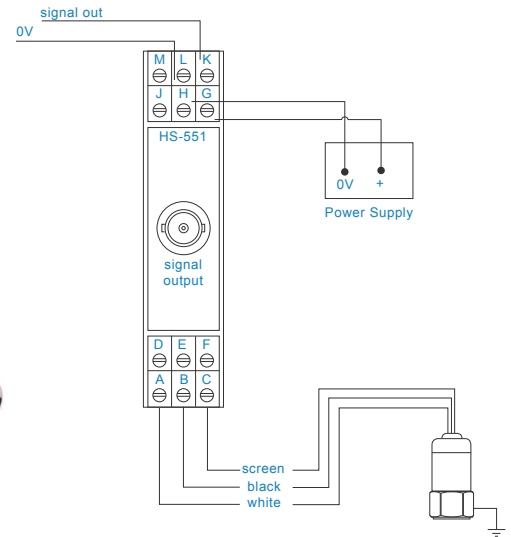


# HS-551 Vibration Module

## Power Supply

### Key Features

- Provides power for constant current accelerometers
- TDX OK Indicator
- AC mV/g output via BNC for data collection and analysis



### Technical Performance

Power Input	24 VDC $\pm 10\%$ @ 5 mA max.
Accelerometer Driving Voltage	22.5 VDC
Accelerometer Constant Current	3.5 mA
Frequency Response	1 Hz to 100 kHz $\pm 3\text{db}$

### Mechanical

Operating Temperature Range	0 to 55 °C
EMC	EN61326-1:2013
Installation Category (IEC664)	II
Equipment Class (IEC536)	III

### Electrical

Outputs	mV AC via BNC or Screw Terminals (0 VDC bias) mV AC + Accel. DC bias via screw terminals
Sensitivity	Nom. 100 mV/g or as stated on the Accelerometer Calibration Sheet

### Environmental

Case Material	Plastic
Mounting	DIN Rail TS35 (Top Hat)
Dimensions	100 x 75 x 24 mm (HxDxW) including BNC
Connections	Screw Clamp
Conductor Size	0.5 to 4.0 mm
Weight	76 gms (nom)